

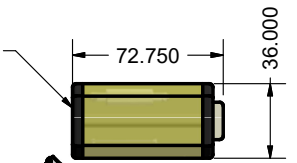
4

3

2

1

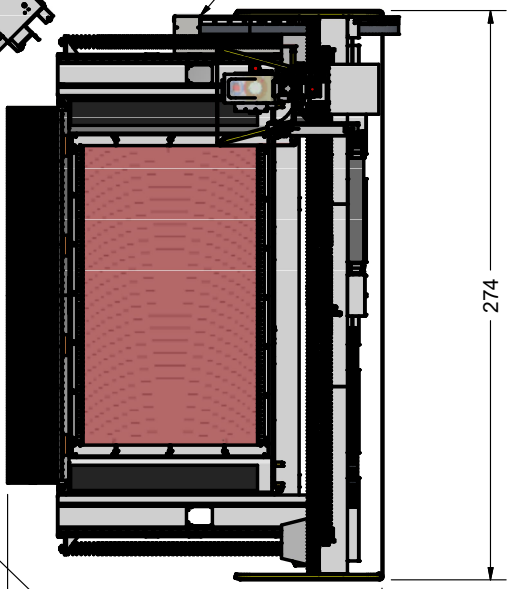
INTENSIFIER PUMP
1 CFM @ 80 PSI
CLEAN DRY AIR
230VAC/3Ø/60Hz



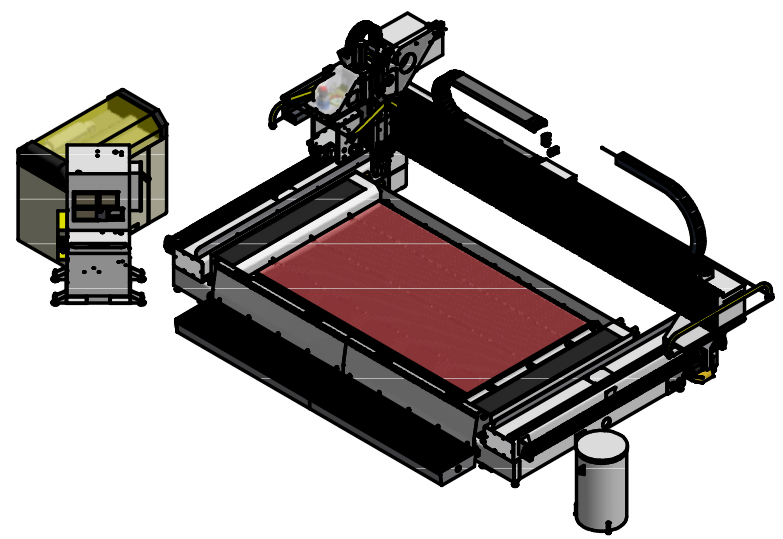
AIR/BALLAST CONNECTION
110 PSI 10 CFM
CLEAN, DRY AIR

NOTE: THE TANK BALLAST SYSTEM REQUIRES A SIGNIFICANT VOLUME OF PRESSURIZED AIR.
IT IS A REQUIREMENT THAT THIS PRESSURIZED AIR CONNECTION BE SUPPLIED SEPARATE FROM THE MACHINE'S PRESSURIZED AIR CONNECTION TO AVOID OPERATION FAULTS.
THE BALLAST TANK PRESSURIZED AIR CONNECTION ONLY REQUIRES AIR WITH OIL SEPERATED IF REQUIRED BY LOCAL, STATE, OR FEDERAL REGULATIONS.
THE MACHINE PRESSURIZED AIR SUPPLY REQUIRES AIR TREATED TO ISO 8573-1 CLASS 4.4.3.

B



ABRASIVE HOPPER
2CFM AT 85 PSI
CLEAN DRY AIR
120/1Ø/60 Hz 3 AMP

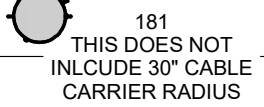


B

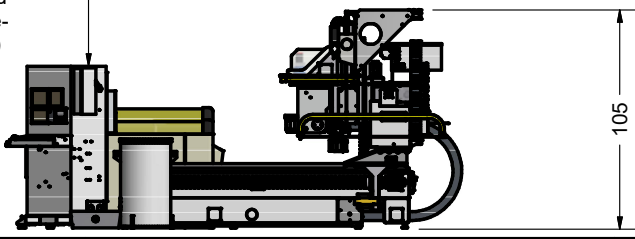
A

A

ELECTRICAL CABINET
480/3/60 VAC 40 AMP SERVICE
LOCKABLE/FUSED DISCONNECT
CAT5 NETWORK CONNECTION
(45kVA step-up transformer required
when only 208/240 service available-
NOT INCLUDED WITH MACHINE)



181
THIS DOES NOT
INLCUDE 30" CABLE
CARRIER RADIUS




105

4

3

2

1

 Northwood Machine Manufacturing Company <i>"Integrated Solutions. Real Results"</i>		
TITLE:		
SW138-SJ127-LT-SMSB-02-FLOORPLAN		
SIZE: B	PART NUMBER:	REV: B
DATE: 8/12/2016	DRAWN: SCHMIDT	SHEET 1 OF 1

A